

DH-SD2C400NA-B-PV-PRO

4MP WizColor WizSense Network PT Camera



Wiz Sense

Launched by Dahua Technology, WizSense is a series of AI products and solutions that adopt independent AI chip and deep learning algorithm. It focuses on human and vehicle with high accuracy, enabling users to fast act on defined targets. Based on Dahua's advanced technologies, WizSense provides intelligent, simple and inclusive products and solutions.

Series Overview

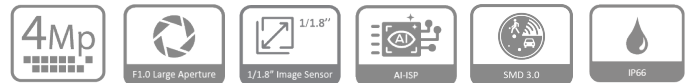
WizColor series cameras utilize groundbreaking technology to capture full-color images at night, overcoming the limitations of darkness. With advanced AI noise reduction and smart recognition, these cameras deliver images with rich colors and clear targets even in low light conditions, and eliminate motion blur in dynamic scenes. Whether in urban or rural settings, this series provides uninterrupted 24-hour high-definition intelligent monitoring for diverse environments.

Functions

WizColor Technology

Dahua WizColor Technology seamlessly combines with the powerful AI-ISP, large pixel size sensor and large aperture in cameras. This unique integration enables cameras to effortlessly capture high-quality images with vibrant colors during nighttime scenarios, ensuring fine details are preserved and minimizing motion blur. Unlike traditional self-illuminating cameras, Dahua WizColor Technology maximizes the utilization of weak light sources, such as moonlight and city lights reflected in the sky, delivering captivating full-color images of the entire scene. It also ensures that monitoring distances are not compromised at night due to limited illumination ranges, facilitating full-color image capture even over long distances.

- 1/1.8" 4Megapixel STARVIS™ CMOS.
- WizColor technology.
- Max. 25/30 fps@4MP.
- H.265 encoding.
- SMD3.0.
- Perimeter protection.
- Two-way Talk.
- Smart Tracking(Lite).
- Preset Patrol.
- IP66 protection.



AI-ISP

With AI ISP technology, the camera is able to easily adapt to scenes, producing high quality images that reveal the fine details of targets.

Smart H.265+ & Smart H.264+

With advanced scene-adaptive rate control algorithm, Dahua smart encoding technology realizes the higher encoding efficiency than H.265 and H.264, provides high-quality video, and reduces the cost of storage and transmission.

IVS

With advanced video algorithm, Dahua IVS technology supports intelligent functions, such as tripwire and intrusion.

SMD 3.0

Empowered by deep-learning algorithms, Dahua SMD filters out motion detection alarms triggered by targets that are not a concern. It quickly recognizes humans and vehicles, triggering alarms when an intrusion occurs.

Technical Specification

Camera

Image Sensor	1/1.8" CMOS
Pixel	4 MP
Max. Resolution	2560 (H) × 1440 (V)
ROM	256 MB
RAM	256 MB
Electronic Shutter Speed	1 s–1/30,000 s
Scanning System	Progressive
Min. Illumination	0.0005 lux@F1.0 (Color, 30 IRE); 0 lux (Illuminator on)
Illumination Distance	30 m (164.04 ft) (Warm light)
Illuminator On/Off Control	Manual; auto; off
Illuminator Number	4 (warm light)

Lens

Focal Length	4 mm
Max. Aperture	F1.0
Field of View	H: 97°; V: 52°; D: 114°
Close Focus Distance	2.6 m (8.53 ft)

	Lens	Detect	Observe	Recognize	Identify
DORI Distance	4 mm	70.34 m (230.45 ft)	28.14 m (92.24 ft)	14.07 m (46.16 ft)	7.03m (23.05 ft)
*DORI (Detect, Observe, Recognize, Identify) is a standard system (EN-62676-4) for defining the ability of a person viewing the video to distinguish persons or objects within a covered area. The numbers in this table do not reflect intelligent function distances. For intelligent function distances, refer to installation and commissioning manual/project design tool.					

PTZ

Pan/Tilt Range	Pan: 0° to 345°; Tilt: 0° to +90°
Manual Control Speed	Pan: 0.1°–74°/s; Tilt: 0.1°–36.4°/s
Preset Speed	Pan: 0.1°–62°/s; Tilt: 0.1°–36.3°/s
Preset	300
Tour	8 (up to 32 presets per tour)
Power-off Memory	Yes
Idle Motion	Preset;Tour

Smart Event

IVS	Tripwire and intrusion
Human Detection	Yes
Vehicle Detection	Yes

Intelligence

SMD	SMD 3.0
Active Deterrence	
Light Warning	Warm light warning Flash duration: 5 s–30 s; Flash frequency: high, medium, low
Sound Warning	Offers 16 sound alarm and 10 custom sound alarms can be imported. Sound can be set from 0%–100%. Play times can be set from 1-10.

Video

Video Compression	Smart H.265+;H.265;Smart H.264+;H.264B;H.264M;H.264H;MJPEG
Resolution	4M (2560 × 1440); 1080p (1920 × 1080); 720p (1280 × 720); D1 (704 × 480); VGA (640 × 480); CIF (352 × 288/352 × 240)
Video Frame Rate	Main stream: 4M/1080p/720p@(1–25/30 fps) Sub stream 1: D1/VGA/CIF@(1–25/30 fps)
Bit Rate Control	CBR/VBR
Video Bit Rate	H264: 3,072 kbps–15,104 kbps H265: 1,280 kbps–9,216 kbps
Day/Night	Color/B/W
BLC	Yes
WDR	DWDR
HLC	Yes
White Balance	Auto; indoor; outdoor; tracking; manual; sodium lamp; natural light; street lamp
Gain Control	Auto; manual
Noise Reduction	2D NR; 3D NR
Motion Detection	Yes
Defog	Electronic
Digital Zoom	16 x
Image Rotation	180°
S/N Ratio	≥55 dB

Audio

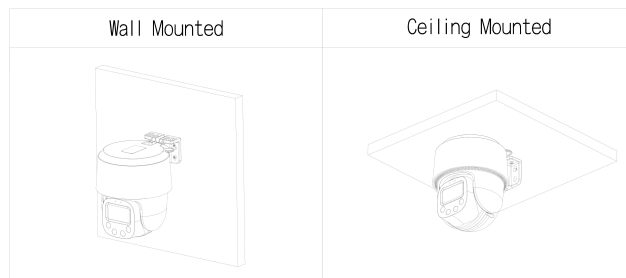
Audio Compression	PCM, G.711A, G.711Mu
Built-in MIC	Yes
Built-in Speaker	Yes

Network

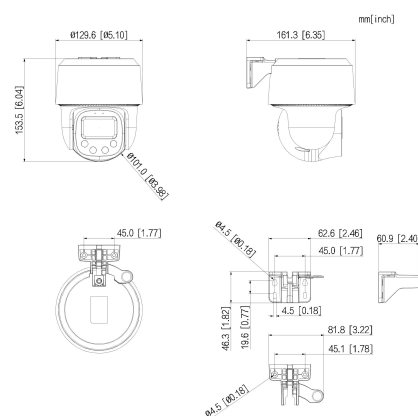
Network Port	RJ-45 (10/100 Base-T)
Network Protocol	HTTP;HTTPS;TCP/IP;IPv4;RTSP;UDP;SMTP;NTP;DHCP; DNS;DDNS;IPv6;802.1x;SSL;QoS;FTP;UPnP;ICMP;SNMP; IGMP;ARP;RTP;RTP; PPPoE;RTMP;Bonjour;NFS
Interoperability	ONVIF (Profile S & Profile G & Profile T);CGI;SDK
Streaming Method	Unicast/Multicast
User/Host	20 (total bandwidth: 64 M)

Storage	Micro SD card (Up to 256 GB); FTP
Browser	IE: IE 7 and later versions; Chrome; Firefox; Safari
Management Software	DMSS;5 Series NVR;DSS Pro
Mobile Client	iOS;Android
Function	
Abnormal Sound Alarm	Yes
Certification	
Certifications	CE
Port	
Audio Input	1 channel (built-in mic)
Audio Output	1 channel (built-in speaker)
Alarm Linkage	Capture; preset; recording; audio; sending email
Alarm Event	Motion/Tampering detection; audio detection; network disconnection detection; IP conflict detection; memory card state detection; memory space detection
Power	
Power Supply	12 VDC, 1A ± 10% PoE (802.3af)
Power Consumption	PoE: Basic: 3.6 W Max: 9.5 W (illuminator + PTZ)
Power Adapter	Optional
Environment	
Operating Temperature	-30 °C to +55 °C (-22 °F to +131 °F)
Operating Humidity	≤95%
Protection	TVS 2000 V lightning proof; surge protection; voltage transient protection;Waterproof and Dustproof
Structure	
Product Dimensions	153.5 mm × Φ129.3 mm (6.04" × Φ5.09")
Net Weight	0.66 kg (1.46 lb)
Gross Weight	1 kg (2.20 lb)

Installation



Dimensions (mm[inch])



Ordering Information

Type	Model	Description
NETWORK PT CAMERA	DH-SD2C400NA-B-PV-PRO	4MP WizColor WizSense Network PT Camera