

DH-IPC-HFW1339DTK1-SW-PV

3MP Fixed-focal WiFi Bullet Network Camera



Functions

AI Human Detection

Focuses on what matters and reduces false alarms

AI Vehicle Detection

Focuses on what matters and reduces false alarms

Smart Dual Light

Dahua Smart Dual Light technology adopts smart algorithm to detect targets. Usually, the IR illuminator is on at night; when the target appears in the monitoring area, the white light is on, and the camera records the full-color video and information of key events. That is, the camera links snapshot and video with full-color image. When the target is out of the monitoring area, the white light is off and the IR illuminator is on, which reduces light pollution efficiently.

IP67 Protection

Withstands harsh environments

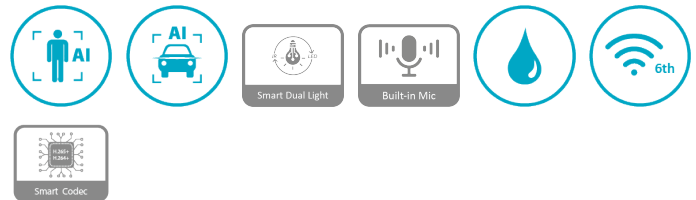
Wi-Fi 6

Seamless integration of speed and anti-interference

Smart H.265+ & Smart H.264+

With advanced scene-adaptive rate control algorithm, Dahua smart encoding technology realizes the higher encoding efficiency than H.265 and H.264, provides high-quality video, and reduces the cost of storage and transmission.

- 3-MP 1/2.8" CMOS image sensor, low luminance, and high definition image.
- Outputs max. 3 MP (2304 × 1296) @25/30 fps.
- H.265 codec, high compression rate, ultra-low bit rate.
- Built-in multi-core light, the max. warm light distance is 30 m and the max. IR distance is 30 m.
- SMART H.264+/H.265+, flexible coding, applicable to various bandwidth and storage environments.
- DWDR, 3D NR, BLC, digital watermarking, applicable to various monitoring scenes.
- Abnormality detection: No SD card, SD card full, SD card error, network disconnection, IP conflict, illegal access, motion detection, video tampering, audio detection and intensity change.
- Supports max. 256 G Micro SD card; built-in Mic; built-in speaker.
- 12 VDC power supply, easy for installation.
- IP67 protection.
- Supports human detection and vehicle detection.



Technical Specification

Camera

Image Sensor	1/2.8" CMOS
Max. Resolution	2304 (H) × 1296 (V)
ROM	128 MB
RAM	128 MB
Scanning System	Progressive
Electronic Shutter Speed	Auto/Manual 1/3 s–1/100,000 s
Min. Illumination	0.005 lux@F1.6 (Color, 30 IRE) 0.0005 lux@F1.6 (B/W, 30 IRE) 0 lux (Illuminator on)
S/N Ratio	>56 dB
Illumination Distance	Up to 30 m (98.43 ft) (IR) Up to 30 m (98.43 ft) (Warm light)
Illuminator On/Off Control	Auto;Manual
Illuminator Number	1 (Multi-core (IR + warm) light)
Angle Adjustment	Tilt: 0°–90° Rotation: 0°–360°

Lens

Lens Type	Fixed-focal
Lens Mount	M12
Focal Length	3.6 mm; 2.8 mm
Max. Aperture	F1.6
Field of View	2.8 mm: H: 103°; V: 55°; D: 123° 3.6 mm: H: 85°; V: 46°; D: 100°
Iris Control	Fixed

Close Focus Distance	2.8 mm: 0.8 m (2.62 ft) 3.6 mm: 1.1 m (3.61 ft)
----------------------	--

DORI Distance	Lens	Detect	Observe	Recognize	Identify
	2.8 mm	44.1 m (144.69 ft)	17.7 m (58.07 ft)	8.8 m (28.87 ft)	4.4 m (14.44 ft)
	3.6 mm	53.7 m (176.18 ft)	21.5 m (70.54 ft)	10.7 m (35.10 ft)	5.4 m (17.72 ft)

*DORI (Detect, Observe, Recognize, Identify) is a standard system (EN-62676-4) for defining the ability of a person viewing the video to distinguish persons or objects within a covered area. The numbers in this table do not reflect intelligent function distances. For intelligent function distances, refer to installation and commissioning manual/project design tool.

Intelligence

Human Detection	Yes
SMD	SMD 3.0
Smart Sound Detection	Yes

Video

Video Compression	H.264B; H.264; H.264H; H.265
Smart Codec	Smart H.265+; Smart H.264+

Video Frame Rate	Main stream: 2304 × 1296@(1–25/30 fps) sub stream: 640 × 360@(1–25/30 fps) *The values above are the max. frame rates of each stream; for multiple streams, the values will be subjected to the total encoding capacity.
Stream Capability	2 streams
Resolution	3M (2304 × 1296); 1080p (1920 × 1080); 1.3M (1280 × 960); 720p (1280 × 720)
Bit Rate Control	VBR
Day/Night	Auto(ICR)/Color/B/W
BLC	Yes
HLC	Yes
WDR	DWDR
White Balance	Auto; natural; street lamp; outdoor; manual; regional custom
Gain Control	Auto/Manual
Noise Reduction	3D NR
Motion Detection	OFF/ON (4 areas, rectangular)
Smart Illumination	Yes
Smart Dual Light	Yes
Image Rotation	0°/180°
Mirror	Yes

Audio

Built-in MIC	Yes, built-in Mic
Built-in Speaker	Yes, built-in speaker
Audio Compression	G.711a; G.711Mu; PCM

Alarm

Alarm Event	No SD card; SD card full; SD card error; network disconnection; IP conflict; illegal access; motion detection; video tampering; audio detection; intensity change; SMD (human); SMD (vehicle)
-------------	---

Network

Network Port	RJ-45 (10/100 Base-T)
Wi-Fi	IEEE 802.11b/g/n/ax 2.4000–2.4835 GHz, 2.4 G, EIRP≤20 dBm
SDK and API	Yes
Network Protocol	IPv4; HTTP; TCP; UDP; ARP; RTP; RTSP; RTCP; DHCP; DNS; NTP; Multicast; RTMP; P2P; Auto Registration
Interoperability	ONVIF (Profile S & Profile G); CGI
Storage	Micro SD card (support max. 256 GB)
Management Software	Smart PSS Lite; DSS; DMSS
Mobile Client	iOS;Android
Cyber Security	Video encryption;Configuration encryption;Digest;WSSE;Account lockout;Security logs;Generation and importing of X.509 certification;HTTPS;Trusted boot;Trusted execution;Trusted upgrade

DH-IPC-HFW1339DTK1-SW-PV

Certification

Certifications	CE-LVD: EN62368-1; CE-EMC: Electromagnetic Compatibility Directive 2014/30/EU; CE-RED: Radio Equipment Directive 2014/53/EU
----------------	---

Port

Audio Output	1 channel (RCA port)
--------------	----------------------

Power

Power Supply	12 VDC
--------------	--------

Environment

Operating Temperature	-30 °C to +50 °C (-22 °F to +122 °F)
-----------------------	--------------------------------------

Operating Humidity	≤95% (RH), non-condensing
--------------------	---------------------------

Storage Temperature	-30 °C to +50 °C (-22 °F to +122 °F)
---------------------	--------------------------------------

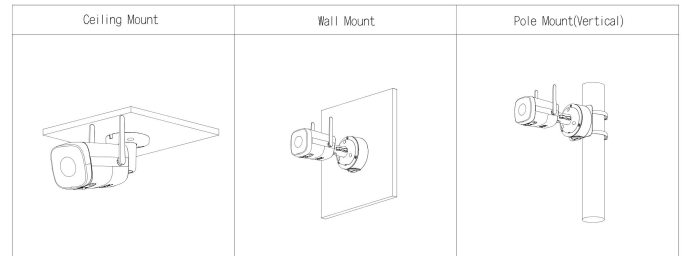
Storage Humidity	≤95% (RH), non-condensing
------------------	---------------------------

Protection	IP67
------------	------

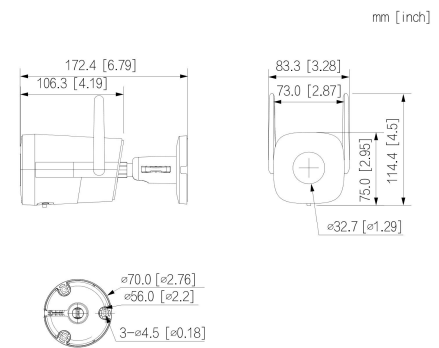
Structure

Casing Material	Plastic
-----------------	---------

Product Dimensions	172.4 mm × 83.3 mm × 75.0 mm (6.79" × 3.28" × 2.95") (L × W × H)
--------------------	---



Dimensions (mm[inch])



Ordering Information

Type	Model	Description
IP CAMERA	DH-IPC-HFW1339DTK1-SW-PV	3MP Fixed-focal WiFi Bullet Network Camera
Accessories (Optional)	PFM900-E	Integrated Mount Tester

Accessories

Optional:



PFM900-E
Integrated Mount Tester