

# DH-IPC-HFW1539DTK1-SW-PV

## 5MP Fixed-focal WiFi Bullet Network Camera



### Functions

#### AI Human Detection

Focuses on what matters and reduces false alarms

#### AI Vehicle Detection

Focuses on what matters and reduces false alarms

#### Smart Dual Light

Dahua Smart Dual Light technology adopts smart algorithm to detect targets. Usually, the IR illuminator is on at night; when the target appears in the monitoring area, the white light is on, and the camera records the full-color video and information of key events. That is, the camera links snapshot and video with full-color image. When the target is out of the monitoring area, the white light is off and the IR illuminator is on, which reduces light pollution efficiently.

#### IP67 Protection

Withstands harsh environments

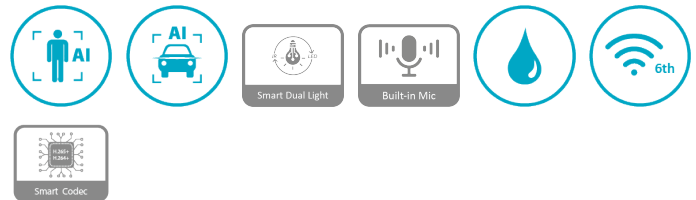
#### Wi-Fi 6

Seamless integration of speed and anti-interference

#### Smart H.265+ & Smart H.264+

With advanced scene-adaptive rate control algorithm, Dahua smart encoding technology realizes the higher encoding efficiency than H.265 and H.264, provides high-quality video, and reduces the cost of storage and transmission.

- 5-MP 1/2.7" CMOS image sensor, low luminance, and high definition image.
- Outputs max. 5 MP (2880 × 1620) @25/30 fps.
- H.265 codec, high compression rate, ultra-low bit rate.
- Built-in multi-core light, the max. warm light distance is 30 m and the max. IR distance is 30 m.
- SMART H.264+/H.265+, flexible coding, applicable to various bandwidth and storage environments.
- DWDR, 3D NR, BLC, digital watermarking, applicable to various monitoring scenes.
- Abnormality detection: No SD card, SD card full, SD card error, network disconnection, IP conflict, illegal access, motion detection, video tampering, audio detection and intensity change.
- Supports max. 256 G Micro SD card; built-in Mic; built-in speaker.
- 12 VDC power supply, easy for installation.
- IP67 protection.
- Supports human detection and vehicle detection.



## Technical Specification

### Camera

Image Sensor	1/3" CMOS
Max. Resolution	2880 (H) × 1620 (V)
ROM	128 MB
RAM	128 MB
Scanning System	Progressive
Electronic Shutter Speed	Auto/Manual 1/3 s–1/100,000 s
Min. Illumination	0.007 lux@F1.6 (Color, 30 IRE) 0.0007 lux@F1.6 (B/W, 30 IRE) 0 lux (Illuminator on)
S/N Ratio	>56 dB
Illumination Distance	Up to 30 m (98.43 ft) (IR) Up to 30 m (98.43 ft) (Warm light)
Illuminator On/Off Control	Auto;Manual
Illuminator Number	1 (Multi-core (IR + warm) light)
Angle Adjustment	Tilt: 0°–90° Rotation: 0°–360°

### Lens

Lens Type	Fixed-focal
Lens Mount	M12
Focal Length	3.6 mm; 2.8 mm
Max. Aperture	F1.6
Field of View	2.8 mm: H: 104°; V: 56°; D: 124° 3.6 mm: H: 89°; V: 48°; D: 104°
Iris Control	Fixed
Close Focus Distance	2.8 mm: 1.1 m (3.61 ft) 3.6 mm: 1.5 m (4.92 ft)

DORI Distance	Lens	Detect	Observe	Recognize	Identify
	2.8 mm	64.0 m ( 209.97 ft)	25.6 m ( 83.99 ft)	12.8 m ( 41.99 ft)	6.4 m ( 21.00 ft)
	3.6 mm	77.8 m ( 255.25 ft)	31.1 m ( 102.03 ft)	15.6 m ( 51.18 ft)	7.8 m ( 25.59 ft)

\*DORI (Detect, Observe, Recognize, Identify) is a standard system (EN-62676-4) for defining the ability of a person viewing the video to distinguish persons or objects within a covered area. The numbers in this table do not reflect intelligent function distances. For intelligent function distances, refer to installation and commissioning manual/project design tool.

### Intelligence

Human Detection	Yes
SMD	SMD 3.0
Smart Sound Detection	Yes

### Video

Video Compression	H.264B; H.264; H.264H; H.265
Smart Codec	Smart H.265+; Smart H.264+

Video Frame Rate	Main stream: 2880 × 1620@(1–25/30 fps) sub stream: 640 × 360@(1–25/30 fps) *The values above are the max. frame rates of each stream; for multiple streams, the values will be subjected to the total encoding capacity.
Stream Capability	2 streams
Resolution	5M (2880 × 1620); 4M (2688 × 1520); 3M (2048 × 1536/2304 × 1296); 1080p (1920 × 1080); 1.3M (1280 × 960); 720p (1280 × 720)
Bit Rate Control	VBR
Day/Night	Auto(ICR)/Color/B/W
BLC	Yes
HLC	Yes
WDR	DWDR
White Balance	Auto; natural; street lamp; outdoor; manual; regional custom
Gain Control	Auto/Manual
Noise Reduction	3D NR
Motion Detection	OFF/ON (4 areas, rectangular)
Smart Illumination	Yes
Smart Dual Light	Yes
Image Rotation	0°/180°
Mirror	Yes

### Audio

Built-in MIC	Yes, built-in Mic
Built-in Speaker	Yes, built-in speaker
Audio Compression	G.711a; G.711Mu; PCM

### Alarm

Alarm Event	No SD card; SD card full; SD card error; network disconnection; IP conflict; illegal access; motion detection; video tampering; audio detection; intensity change; SMD (human); SMD (vehicle)
-------------	---

### Network

Network Port	RJ-45 (10/100 Base-T)
Wi-Fi	IEEE 802.11b/g/n/ax 2.4000–2.4835 GHz, 2.4 G, EIRP≤20 dBm
SDK and API	Yes
Network Protocol	IPv4; HTTP; TCP; UDP; ARP; RTP; RTSP; RTCP; DHCP; DNS; NTP; Multicast; RTMP; P2P; Auto Registration
Interoperability	ONVIF (Profile S & Profile G); CGI
Storage	Micro SD card (support max. 256 GB)
Management Software	Smart PSS Lite; DSS; DMSS
Mobile Client	iOS;Android
Cyber Security	Video encryption;Configuration encryption;Digest;WSSE;Account lockout;Security logs;Generation and importing of X.509 certification;HTTPS;Trusted boot;Trusted execution;Trusted upgrade

# DH-IPC-HFW1539DTK1-SW-PV

## Certification

Certifications	CE-LVD: EN62368-1; CE-EMC: Electromagnetic Compatibility Directive 2014/30/EU; CE-RED: Radio Equipment Directive 2014/53/EU
----------------	---

## Port

Audio Output	1 channel (RCA port)
--------------	----------------------

## Power

Power Supply	12 VDC
--------------	--------

## Environment

Operating Temperature	-30 °C to +50 °C (-22 °F to +122 °F)
-----------------------	--------------------------------------

Operating Humidity	≤95% (RH), non-condensing
--------------------	---------------------------

Storage Temperature	-30 °C to +50 °C (-22 °F to +122 °F)
---------------------	--------------------------------------

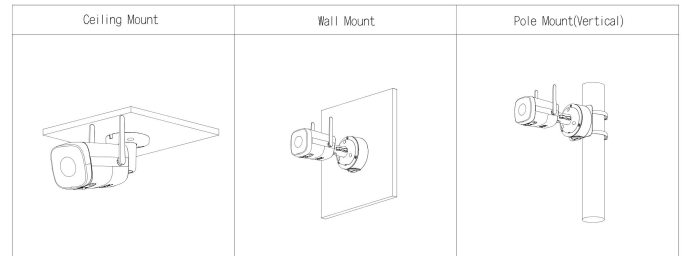
Storage Humidity	≤95% (RH), non-condensing
------------------	---------------------------

Protection	IP67
------------	------

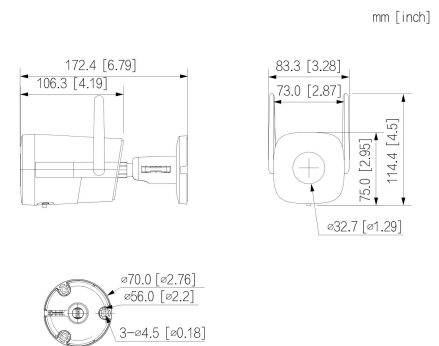
## Structure

Casing Material	Plastic
-----------------	---------

Product Dimensions	172.4 mm × 83.3 mm × 75.0 mm (6.79" × 3.28" × 2.95") (L × W × H)
--------------------	---



## Dimensions (mm[inch])



## Ordering Information

Type	Model	Description
IP CAMERA	DH-IPC-HFW1539DTK1-SW-PV	5MP Fixed-focal WiFi Bullet Network Camera
Accessories (Optional)	PFM900-E	Integrated Mount Tester

## Accessories

Optional:



PFM900-E  
Integrated Mount Tester